

## Hand operated worm gear winch PLANETA WW-EX

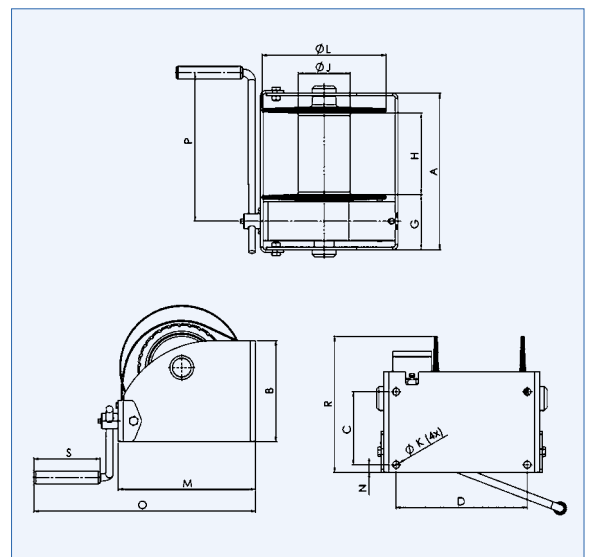
- Robust and safe hoisting winch
- Static safety factor of 4
- Square worm-wormwheel transmission and maintenance free bearing
- Adjustable crank, with ergonomic grip
- Easy to grease worm-wormwheel transmission
- Load pressure brake with quiet double ratchet system
- Optional ATEX certified **II 3 GD T4**, suitable for zone 2 and 22 type example WW250 GR/D/Ex
- Grooved drum as extra option (GD instead of D)
- 2 cable compartments (2D instead of D) multi compartment possible upon request
- Standard paint finish 1 layer (60 - 80 Micron), or zinc-plated finish (6 - 8 Micron)
- In compliance with EN13157, DIN 15020 and Ex types ATEX 95 (94/9/EG)



WW-EX-1000GR-D

TYPE	WW-EX...	250	500	1000	1500
Max. pulling force bottom (1st) cable layer	kg	250	500	1000	1500
Max. pulling force top (last) cable layer	kg	95	239	542	845
Crankforce 1st cable position	daN	6	10	13	14
Hoisting length by one rotation of crank , 1st layer	mm	17	20	13	9
Max. cable storage (one drum compartment)	m	59	77	55	42
Diameter cable	mm	5	6	9	10
Min. breaking load cable	kN	15.9	22.9	51	63
Own weight	kg	13	16	29	28
WW-EX... (without rope)	<b>Order No.</b>	<b>H50460</b>	<b>H50461</b>	<b>H50462</b>	<b>H50463</b>
WW-EX... complete with rope and hook	<b>Order No.</b>	<b>H50464</b>	<b>H50465</b>	<b>H50466</b>	<b>H50467</b>

TYPE	A	B	C	D	G	H	J	K	L	M	N	O	P	R	S
WW-EX-250	238	145	100	192	106	102	48	14	160	191	15	354	280	171	130
WW-EX-500	269	160	115	223	107	131	70	14	190	221	15	384	325	192	130
WW-EX-1000	302	195	141	254	110	160	102	17	240	266	15	429	350	264	130
WW-EX-1500	302	250	178	254	111	160	102	17	240	278	15	441	350	306	130



## Hand driven spur gear winch PLANETA TC-EX

- Robust and safe hoisting and pulling (approx. 2.5x hoisting cap.) winch
- Static safety factor of 4
- Load pressure brake with double ratchet system
- Maintenance-free bearing
- Adjustable crank from 250 to 350 mm, ergonomic plastic grip
- Cable outlet to left, right, and top side
- Standard paint finish 1 layer (60 - 80 Micron) GR, or stainless steel SS
- Optional ATEX certified **II 3 GD T3**, suitable for zone 2 and 22 type example TC1000 GR/FS/Ex
- With free spool FS
- 2 cable compartments as extra option (2D instead of D), multi compartments upon request
- Closed gearbox
- In compliance with EN 13157 and DIN 15020 and Ex types ATEX 95 (94/9/EG)



TC-EX-1000

TYPE	TC-EX...	1000	1500
Max. pulling force bottom (1st) cable layer	kg	1000	1500
Max. pulling force top (last) cable layer	kg	587	844
Crankforce 1st cable position	daN	11	12
Hoisting length by one rotation of crank , 1st layer	mm	20	14
Cable capacity	m	25	21
Diameter cable	mm	9	10
Min. breaking load cable	kN	51	63
Own weight	kg	27	27.5
TC-EX... (without rope)	<b>Order No.</b>	<b>H50470</b>	<b>H50471</b>
TC-EX... complete with rope and hook	<b>Order No.</b>	<b>H50472</b>	<b>H50473</b>

