

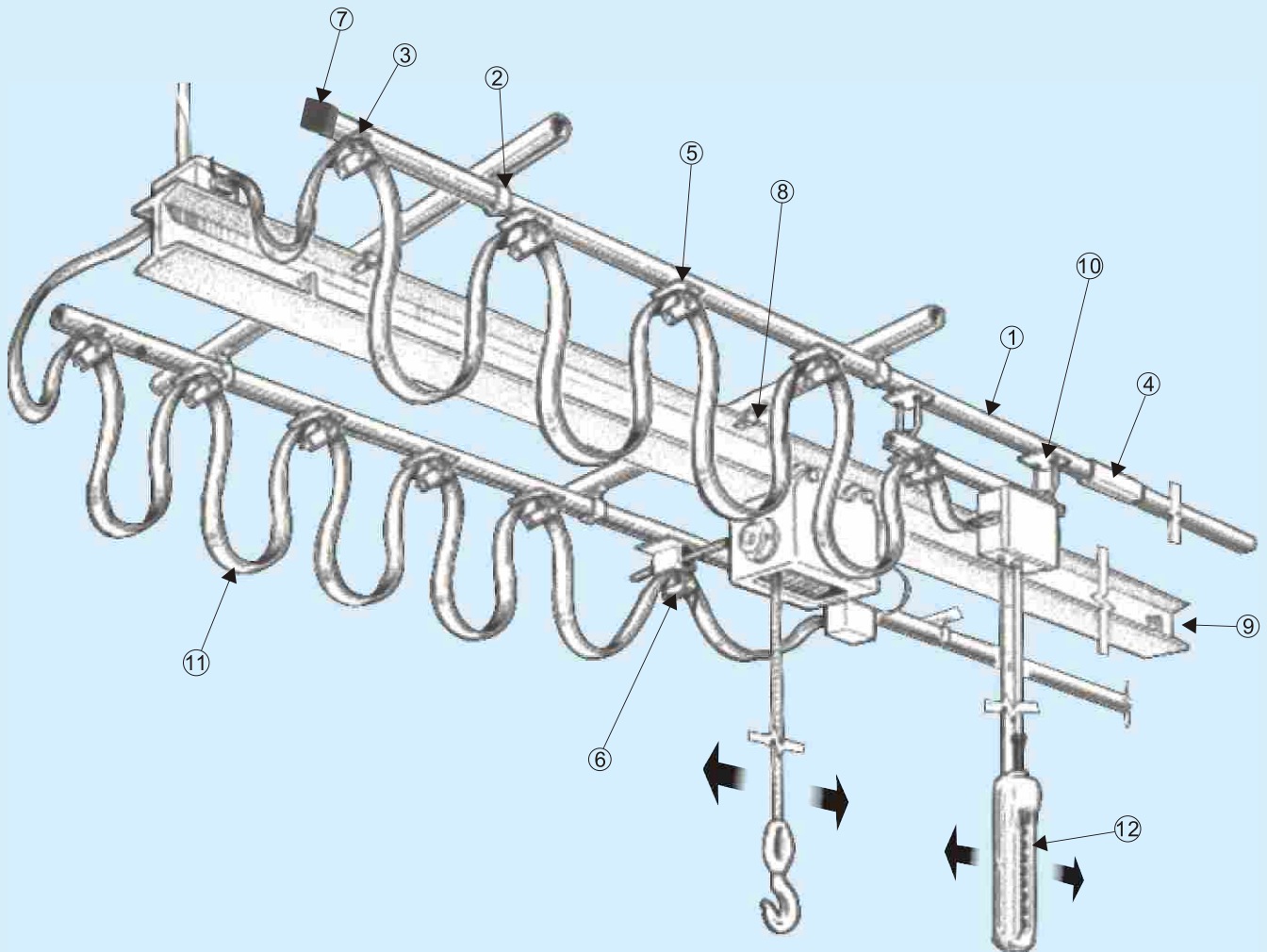


Cable Festoon Systems for Power and Control

For the Electrification of:

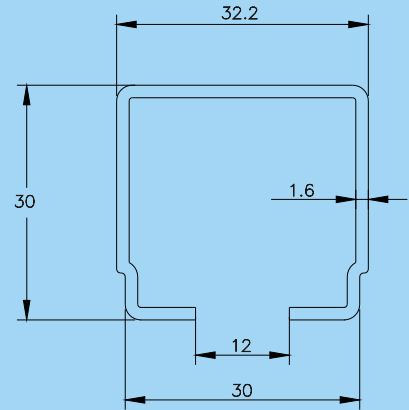
- **Overhead Cranes**
- **Monorails**
- **Transfer Cars**
- **Trippers**
- **Stacker/Reclaimers**

Typical C-Track Festoon Systems For Overhead Crane Installation



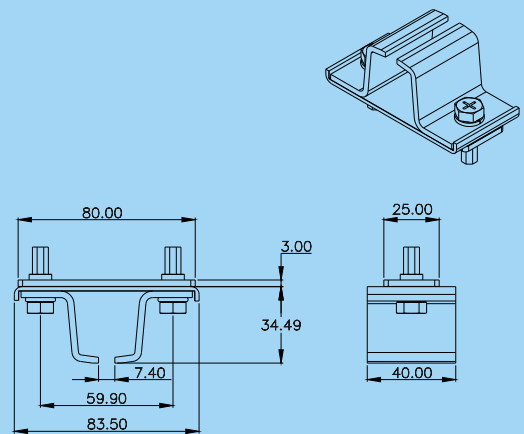
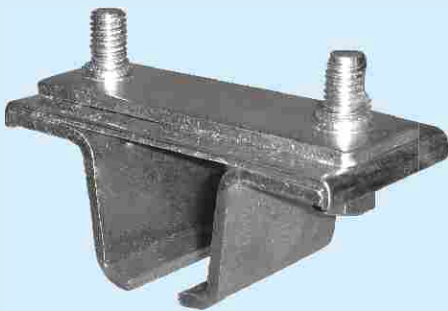
- | | |
|-------------------------|-------------------------------|
| ① C-Track | ⑦ End Cap |
| ② Track Support Bracket | ⑧ Track Clip |
| ③ End Cable Clip | ⑨ I-Beam |
| ④ Track Coupler | ⑩ Pendant Trolley |
| ⑤ Cable Trolley | ⑪ Flat Cable |
| ⑥ Towing Trolley | ⑫ Pendant Push Button Control |

■ C-Track



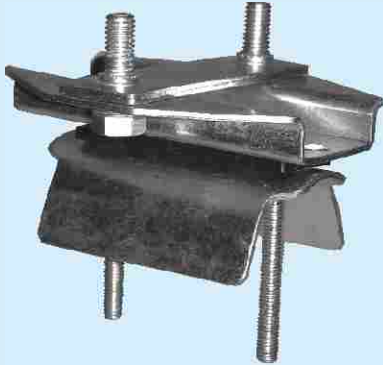
Part No.	Type	Weight (kg)
H-C01-3	3m	3.6
H-C01-4	4m	4.8
H-C01-6	6m	7.2

■ Track Support Bracket

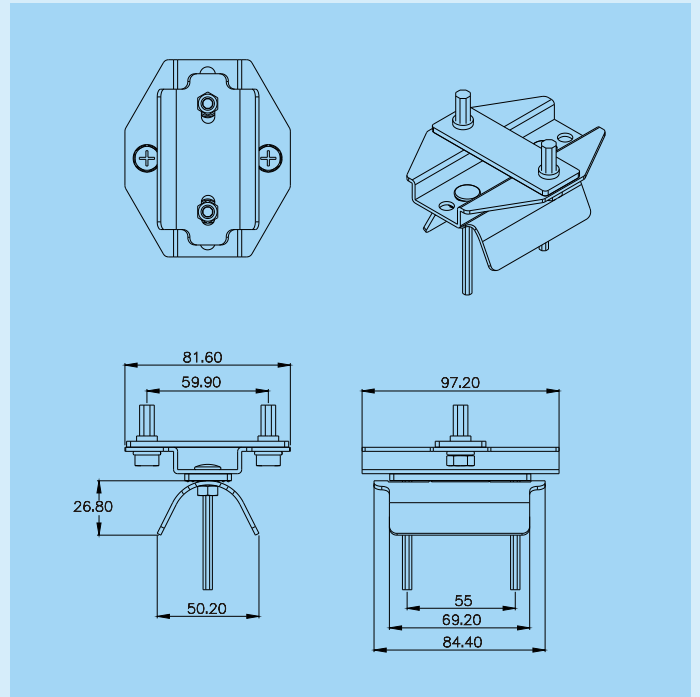


Part No.	Weight (kg)
H-C02	0.23

End Cable Clip



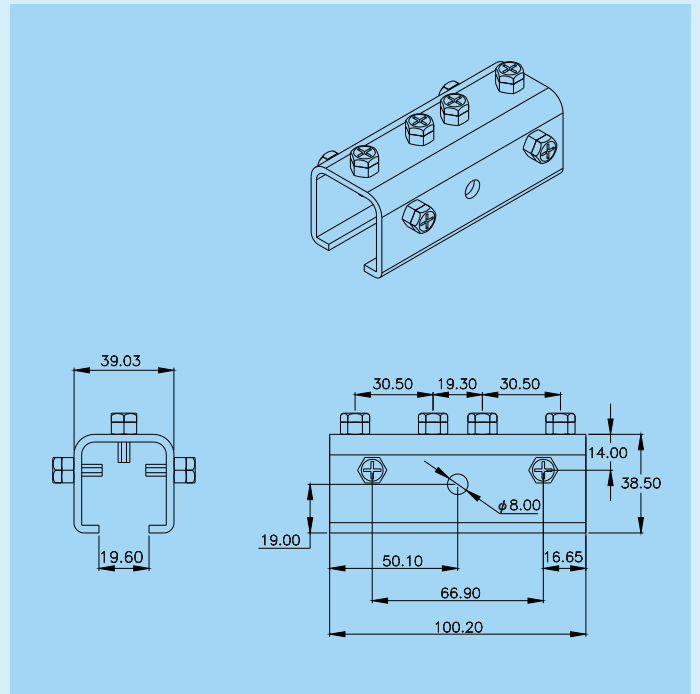
Part No.	Weight (kg)
H-C03	0.31



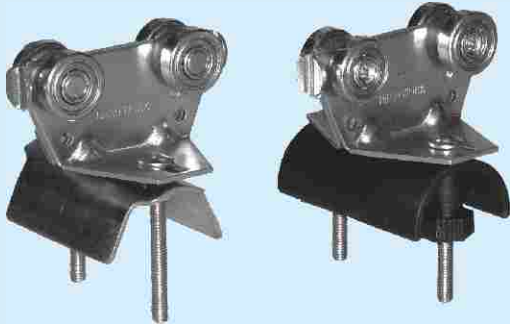
Track Coupler



Part No.	Weight (kg)
H-C04	0.32



■ Cable Trolley

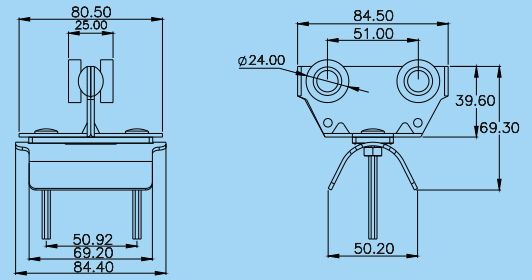


H-C05S

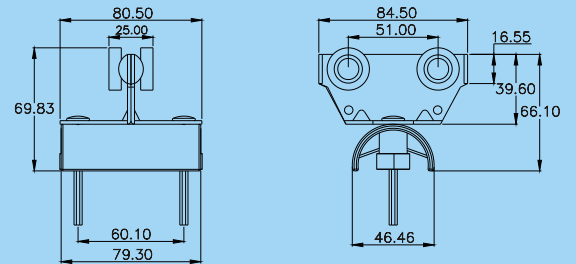
H-C05P

Part No.	Weight (kg)
H-C05S	0.33
H-C05P	0.28

H-C05S



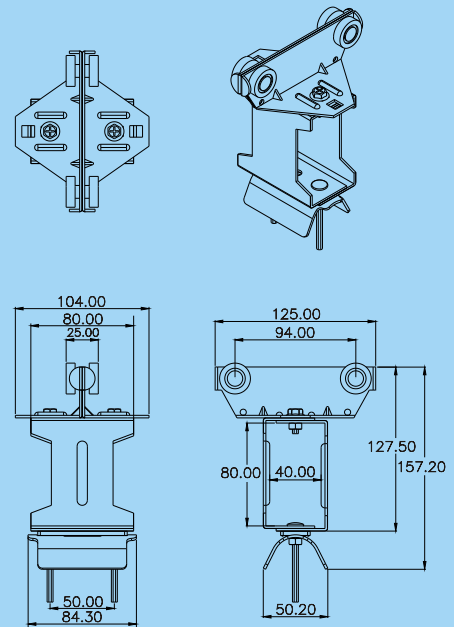
H-C05P



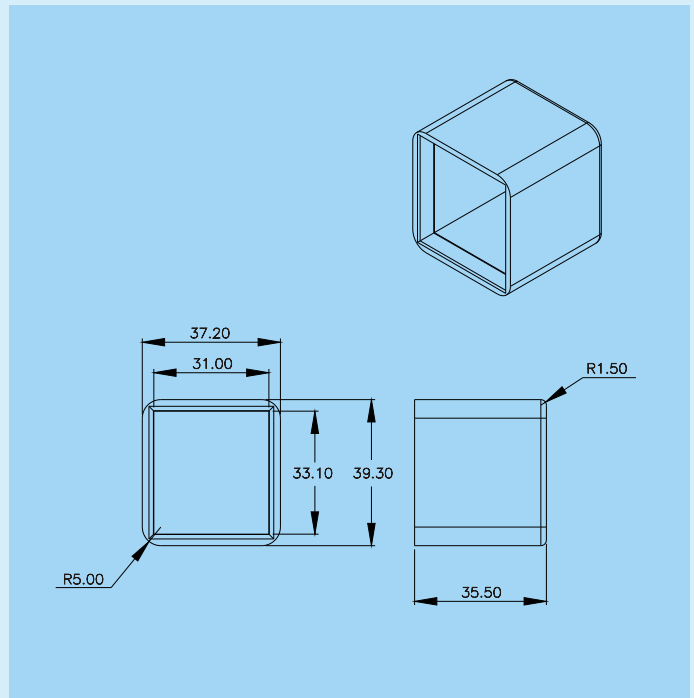
■ Towig Trolley



Part No.	Weight (kg)
H-C06	0.78

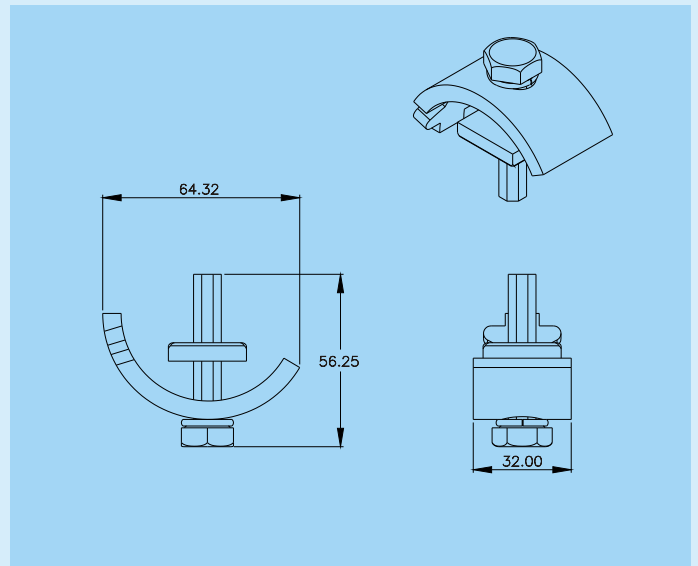


■ End Cap

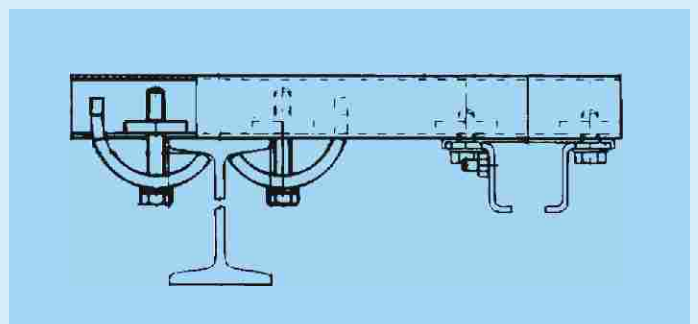


Part No.	Weight (kg)
H-C07	0.02

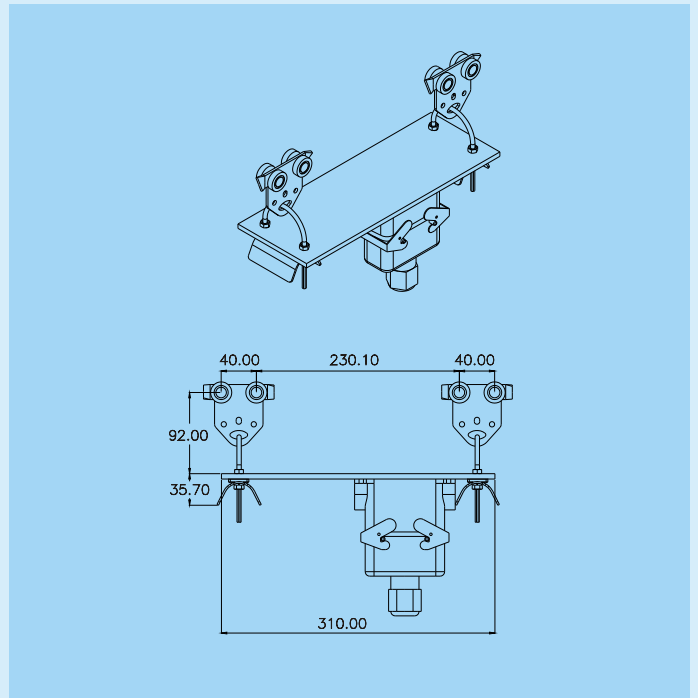
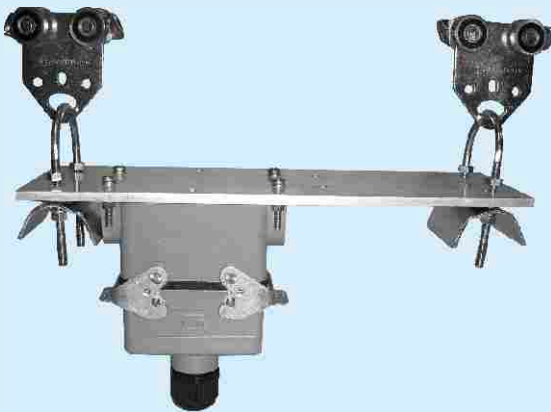
■ Track Clip



Part No.	Weight (kg)
H-C08	0.17



■ Pendant Trolley

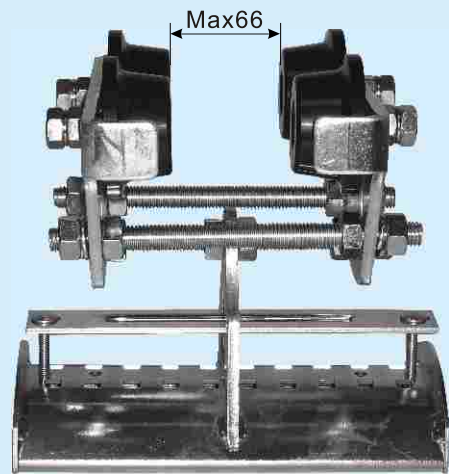


Part No.	Rating	Weight (kg)
H-C09	16P	1.8

■ Flat Cable

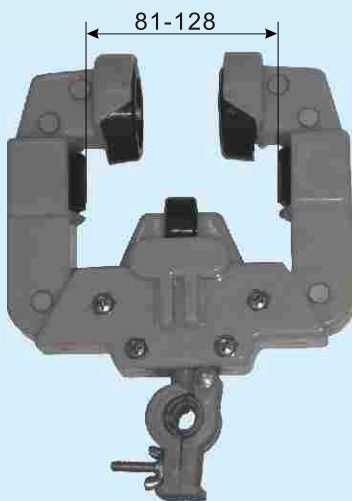
Section(mm)	1.25	1.5	2	3.5	5.5	8	14	22	38
Conductor(NO./mm)	50/0.18	60/0.18	37/0.26	140/0.18	217/0.18	315/0.18	550/0.18	865/0.18	716/0.18
3C	✓		✓	✓	✓	✓	✓	✓	✓
4C	✓		✓	✓	✓	✓	✓	✓	✓
5C	✓								
8C	✓	✓	✓	✓					
10C	✓								
13C	✓	✓							
16C	✓								

■ Trolley for Flat Cable/I-Beam

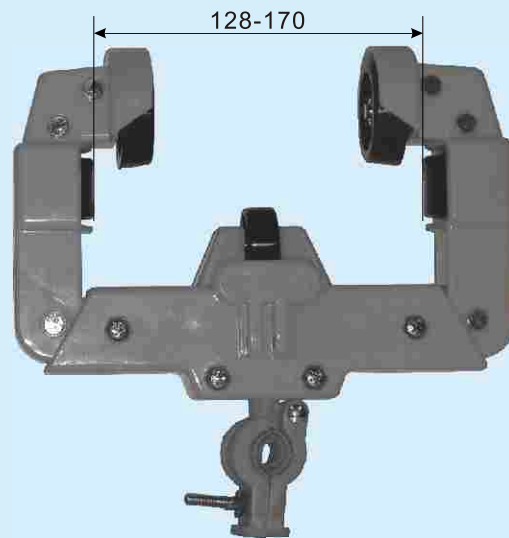


Part No.	Weight (kg)
IB250	4.8

■ W Trolley for Round Cable/I-Beam



WIB75



WIB125

Part No.	Weight (kg)
WIB75	0.38
WIB125	0.41

■ Trolley for Round Cable



G1P



G2S

Part No.	Weight (kg)
G1P	0.07
G2S	0.18

MEMO

Lined area for writing a memo.

A Specialist in Safe/Reliable Power and Data Transfer Systems for Moving Equipment

Insulated Conductor Rails



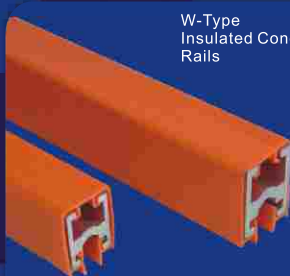
Spring Cable Reels



Flat Cable Festoon Systems



W-Type Insulated Conductor Rails



Energy Chain Systems



Push Button Pendant



Agent :